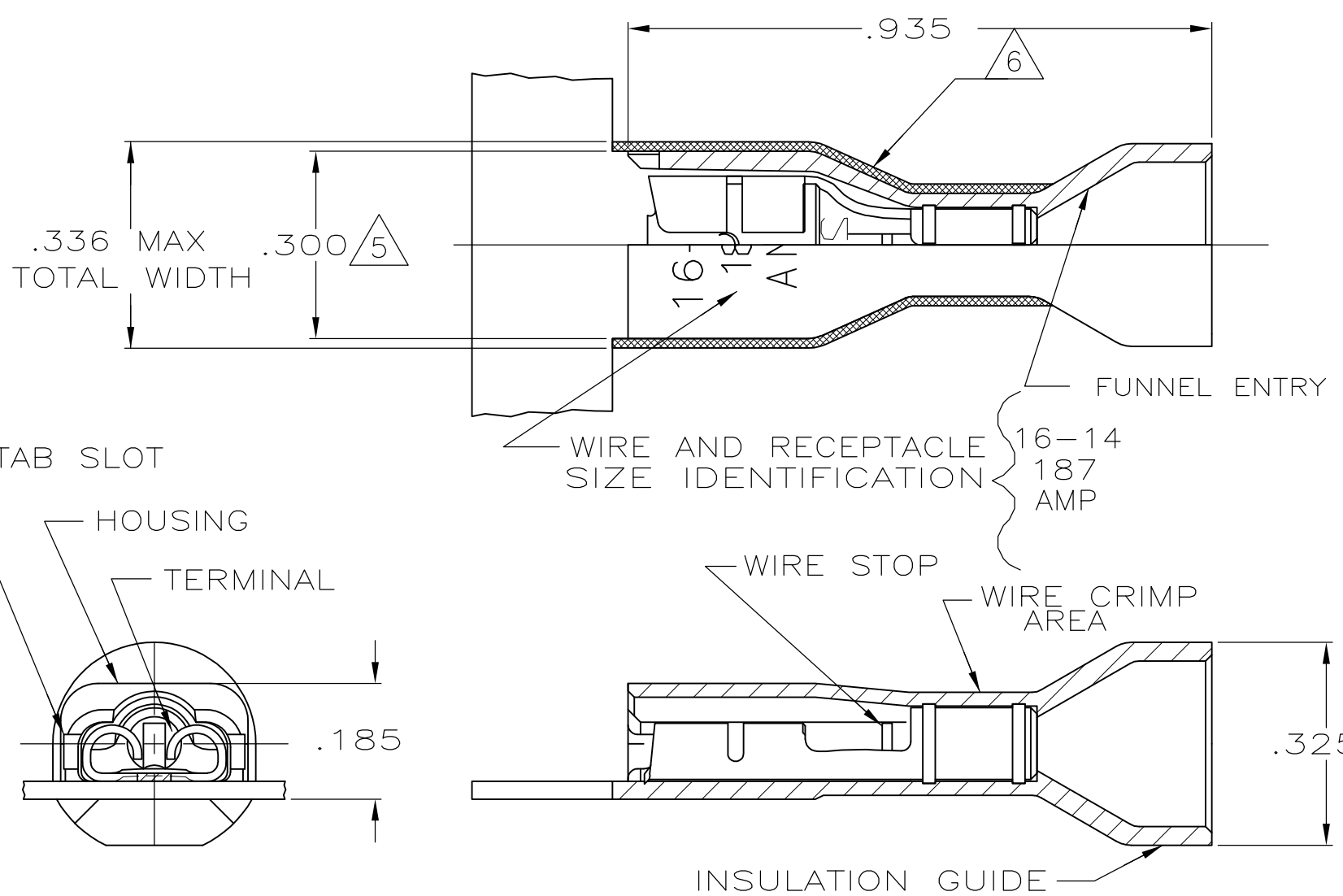


THIS DRAWING IS UNPUBLISHED. RELEASED FOR PUBLICATION  
 © COPYRIGHT - By - ALL RIGHTS RESERVED.

LOC	DIST	REVISIONS			
P	LTR	DESCRIPTION	DATE	DWN	APVD
AF	50	P	REVISED PER ECR-13-004343	30JUL13	KH KR



- 1 MATES WITH .020±.001x.187 TAB
- 2 WIRE STRIP LENGTH .281
- 3 INSULATION SIZE .260 MAX DIA
- 4 CONTINUOUS STRIP ON REELS
- △5 DIMENSION DOES NOT INCLUDE TRIM BURR
- △6 .015 MAX CARRIER TRIM BURR PER SIDE IS ALLOWABLE IN THE SHADED AREA
- △7 PRELIMINARY - NOT FOR PRODUCTION

STANDARD	HOUSING:NYLON,COLOR-GRAY TRANSLUCENT RECEPTACLE:BRASS TIN	△7 6-520150-2
BULK	HOUSING:NYLON,COLOR-BLUE TRANSLUCENT RECEPTACLE:BRASS	5-520150-2
STANDARD	TIN	3-520150-2
PACKAGING	MATERIAL & FINISH	PART NO

THIS DRAWING IS A CONTROLLED DOCUMENT.		DWN P FORTNEY 9/28/88	<b>STE</b> TE Connectivity	
DIMENSIONS: INCHES		CHK MS FEHER 9/28/88		
TOLERANCES UNLESS OTHERWISE SPECIFIED:		APVD K RANDOLPH 9/28/88	NAME RECEPTACLE ASSY,ULTRA-FAST, .187 SERIES,16-14 AWG	
0 PLC ± -		PRODUCT SPEC 108-2043	SIZE A3	
1 PLC ± -		APPLICATION SPEC 114-2123	CAGE CODE 00779	DRAWING NO C-520150
2 PLC ± -		WEIGHT -	RESTRICTED TO -	
3 PLC ± .015		CUSTOMER DRAWING		
4 PLC ± -		SCALE 4:1		
ANGLES ± -		SHEET 1 OF 1		
FINISH SEE TABLE		REV P		